

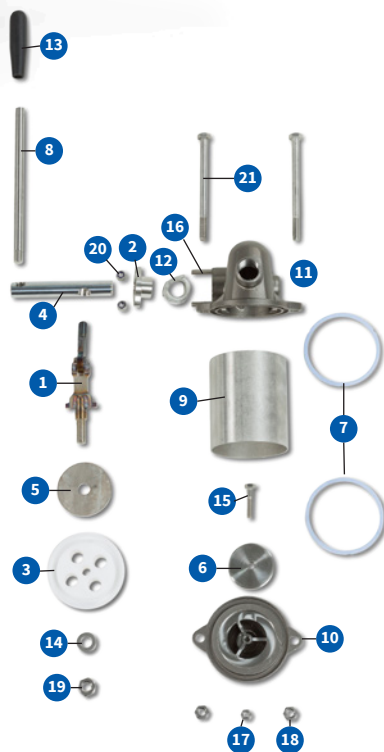
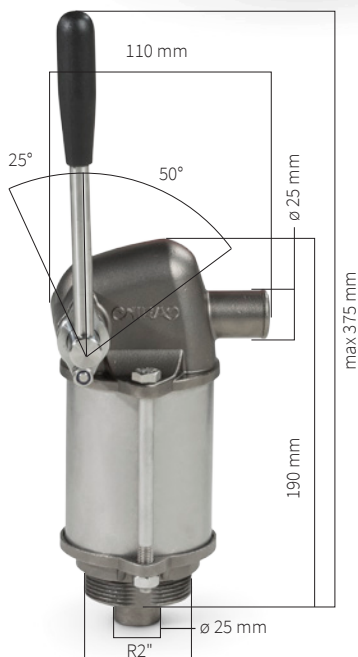


NIRA ACE 316

Acid resistant chemical pump

Suitable for handling strong chemicals, acids and alkalis. A practical, reliable compact pump that can be attached directly onto a barrel, or attached to vertical or horizontal surfaces using mounting plates. The pump has a 1/2" internal thread on both the suction and discharge side.

- Body and mechanism: acid resistant steel AISI 316
- Tested at temperatures of -45°C
- Seals and plunger: Teflon
- Connections: 1/2" internal thread or 25mm hose
- Max output: c. 30 l/min
- Suction lift: 3m without bottom valve
- Weight 2.2 kg
- 5 year warranty for manufacturing or material defects



Parts list

1. Plunger rod	N1010
2. Gland	N1019
3. Plunger	N1001
4. Handle shaft	N1002
5. Plunger valve	N1011
6. Bottom valve	N1012
7. Cylinder seal, Teflon	N1020
8. Handle	N1021
9. Cylinder pipe	N1022
10. Bottom valve body	N1026
11. Upper body	N1027
12. Shaft seal PTFE	N1028
13. Handle grip	R282L3
14. Washer M10 A4 DIN 125	R230106
15. Hex screw M6x30 A4 ISO 4014	R202630
16. Retaining screw M6x35 A4 DIN 913	R2120635R
17. Nut M6 A4	R2266R
18. Nut M8 A4	R2268R
19. Nut M10 A4 low profile	R22810M
20. Nut M6 A4 Nyloc	R2266RN
21. Hex screw M10x110 A4 ISO 4014	R2028

Please note:

If the pump is installed onto a barrel or tank, please ensure that the tank cannot drain itself (the syphon effect). The pump must not be installed as part of a system where it is continuously under pressure. Risk of freezing (liquids prone to freezing); remember to drain the pump thoroughly after use.

Comprehensive parts service

Nira pumps are built to last. With good maintenance they will provide decades of service. Our comprehensive range of spare parts also includes parts for older Nira pumps.

See our range of spare parts www.nira.fi



Nira ACE316 Chemical Compatibility Chart



Compatible with	Notes
Ethanol	
Turpentine	
AdBlue	
Vinegar	
Ammonia, liquid	¹ 48°C
Glycolic acid	
Toluene	
Butylacetate	
Formic acid	¹ 22°C

Freeze-proof -45 °C

¹Compatible with up to this max temperature

More information: Nira Pumps Oy

Not compatible with
Aluminum chloride
Hydrochloric acid
Sulphuric acid
Chloric acid
Hydrofluoric acid
Chromic acid
Bromine
Iodine (in alcohol)



Nira Pumps Oy

Tel +358 10 830 6770

nira.info@nira.fi

PL 54, Putajantie 42

38201 Sastamala, Finland

www.nira.fi

